

SLIDE VALVE

PNEUMATIC & SCREW TYPE L

- MACHINED CAST ALUMINIUM BODY
- SCREW OR PNEUMATIC OPERATION
- STAINLESS STEEL SLIDE PLATE & INLET BORE
- SIZES 100-300mm DIA
- OPTIONAL PRESSURE/VACUUM TIGHT CUT-OFF, TYPE LP ONLY
- INLET AND OUTLET FLANGES IDENTICAL

These fully enclosed slide valves for the control of gravity fed powders and granules have corrosion resistant aluminium alloy bodies, with slide plates and inlet bores in 304 stainless steel as standard. Valves may also be specified in all stainless steel for applications where aluminium is unacceptable.

Top and bottom flanges are drilled and tapped according to DIN PN10 but flanges to other standards are available to special order.

PNEUMATIC VALVE TYPE LP

Operation is by means of a double acting pneumatic cylinder with a stainless steel piston rod, the slide plate running on adjustable nylon 66 supports. Control is by a single solenoid valve piped to close and seal the valve in the event of a failure in the electricity supply. Maximum operating temperatures 80°C.

Reed switches for electrical indication of fully open and closed positions can be fitted if required. Switches and solenoid valves to customers' requirements, or for use in hazardous areas, can also be fitted.

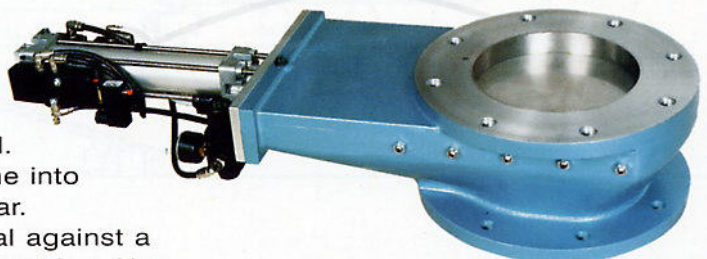
The valve can be fitted with an optional inflatable sealing arrangement to provide an air tight seal against the plate surface when in the closed position. The seal is deflated automatically before opening the valve to allow an unobstructed full bore flow of material. This action ensures that the seal does not come into contact with moving parts, thus minimising wear.

Designed for use where an effective seal against a pressure of up to 1bar g or partial vacuum of 50m bar Abs is required, the valve will find applications on low pressure and vacuum conveying systems, cyclones, dryers, reactors, fluidised products or wherever a positive product/air tight seal is required.

SCREW VALVE TYPE LS

Movement of the slide plate is by a double start stainless steel acme screw and nylon 66 nut and can be fitted for either handwheel or chainwheel operation. This valve, as well as for use as a shut off valve, is ideal for metering the material flow with the plate in the part open/closed position.

Note: this version cannot be fitted with the inflatable seal.

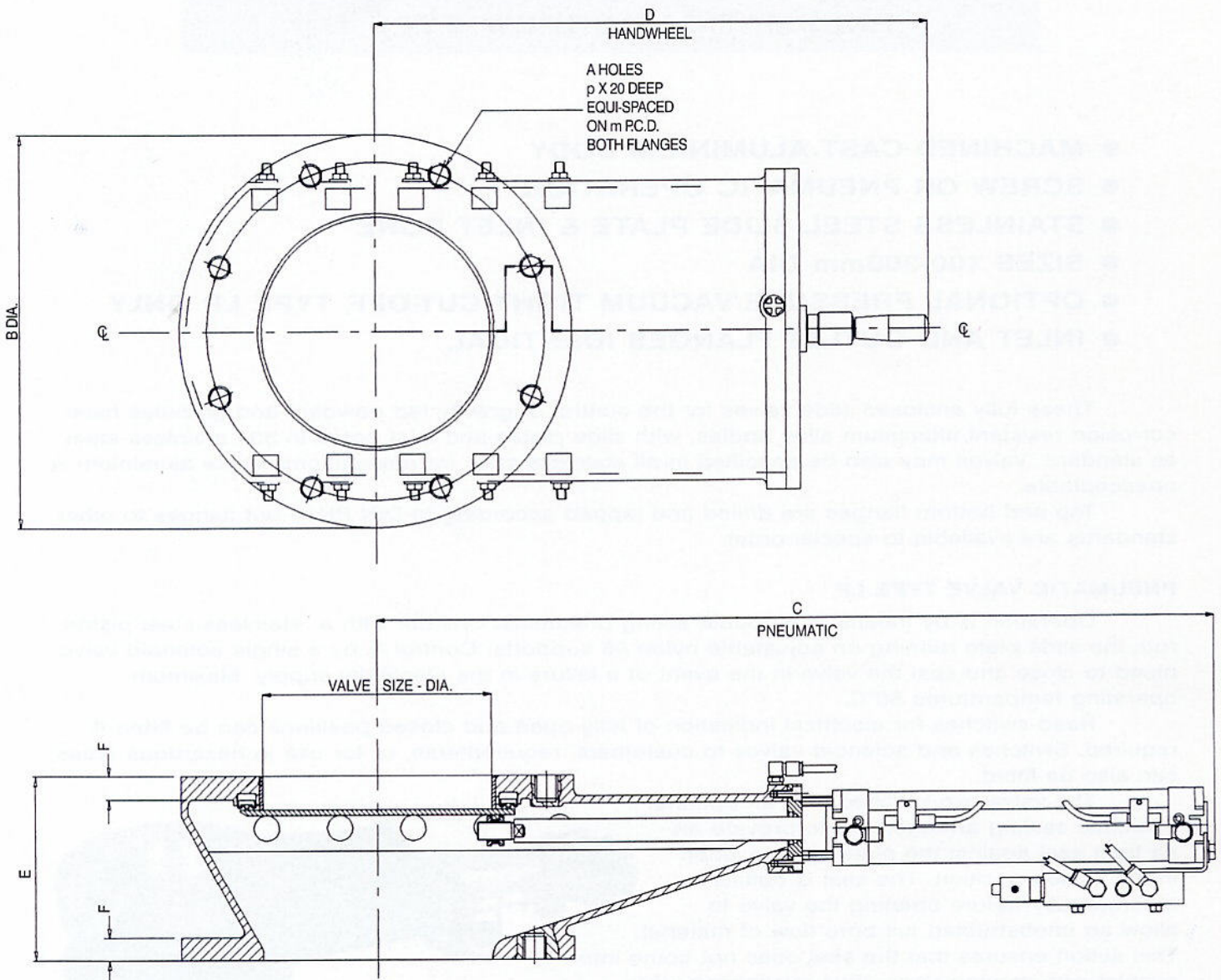


Britton Procol

VALVES

See over for
planning-in
dimensions





VALVE SIZE		DIM Dia m	DIM p	NUM A	DIM B	DIM C	DIM D	DIM E	DIM F
100	PN10	180	M16	8	229	492	335	130	16
	ANSI	190.5	UNC 5/8"						
150	PN10	240	M20	8	279	617	410	145	18
	ANSI	241.3	UNC 3/4"						
200	PN10	295	M20	8	343	742	485	160	20
	ANSI	298.4	UNC 3/4"						
250	PN10	350	M20	12	406	867	560	175	22
	ANSI	361.9	UNC 7/8"						
300	PN10	400	M20	12	483	992	635	190	22
	ANSI	431.8	UNC 7/8"						

Dimensions in mm.

We are continually developing our products and accordingly we reserve the right to change specifications and dimensions without prior notice.



BRITTON PROCOL VALVES · KYNOCHS
BIDEFORD · DEVON · ENGLAND · EX39 4DT

TEL 01237 477465 · FAX 01237 421459
EMAIL post@britton.dowsongroup.com
www.dowsongroup.com